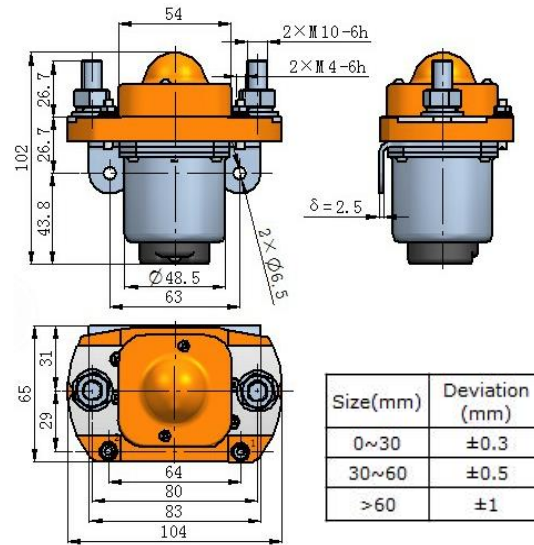
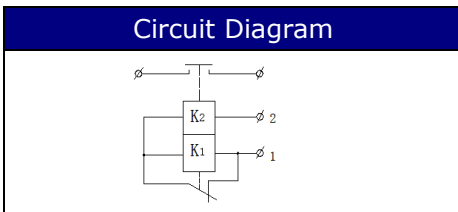


MZJ-400 Series DC contactor

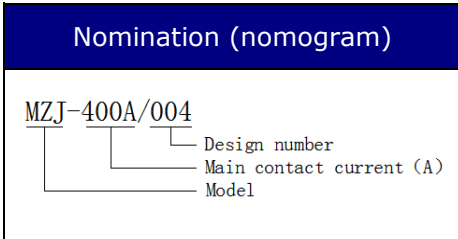


Application

For Electric Control System Of Communication Power Supply, Engineering Machine, Electro-motion Forklift, Motor Car, Train and UPS etc.



TY NO	Rated voltage	pick-up voltage	Release voltage	peak voltage	COIL RESISTANCE
MZJ400A/004	48V	≤30V	≥4V	55V	200Ω
MZJ400A/006	24V	≤16.8V	≥2V	30V	52Ω
MZJ400A/010	30V	≤18V	≥3V	40V	60Ω
MZJ-400A/013	48V	≤33V	≥4V	60V	680Ω



Outline Dimensions

L(mm)×W(mm)×D(mm): 104×65×102

Contact Parameter

Contact Form	SPNO
Contact Volt Dro	≤80mV
Contact Material	Silver copper alloy
Contact Load	400A 24V DC/48V DC 400A 60V DC 350A 72V DC
Max.switching voltage	72V DC
Max.switching current	400A
Machine Life(min)	100000 Ops
Electric Life(min)	10000 Ops

Performance Parameter

Insulation Resistance	≥50MΩ(500V DC)	
Dielectric Strength	Coil & contact	1000V AC 1min
	Open contact	1000V AC 1min
Pick up time	≤30ms	
Release time	≤30ms	
Ambient Temperature	-40℃~+70℃	
Shock	Operating limit	10G
	Damage limit	100G
Vibration	10Hz~50Hz 1.5mm DA	
Termination	Terminal	
Mounting location	Optional	
Remarks		

